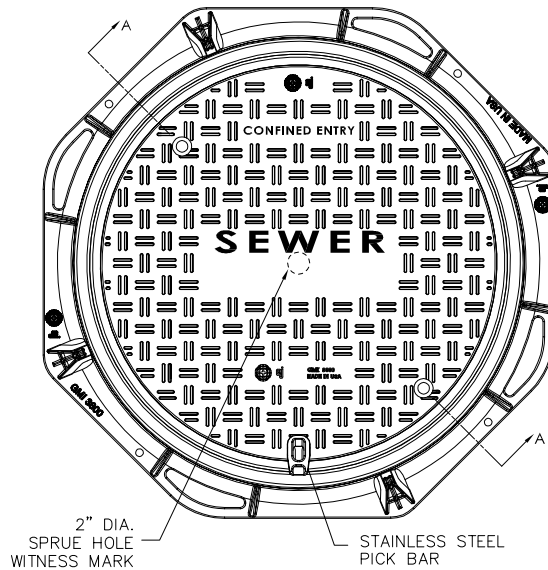


3800 Series Cover and Frame Assembly



BOM			
ITEM #	QTY	PART #	DESCRIPTION
1	1	CDM380129	COMPOSITE FRAME
2	1	CDM380171	COMPOSITE COVER

Product Number

COM380171A01

Design Features

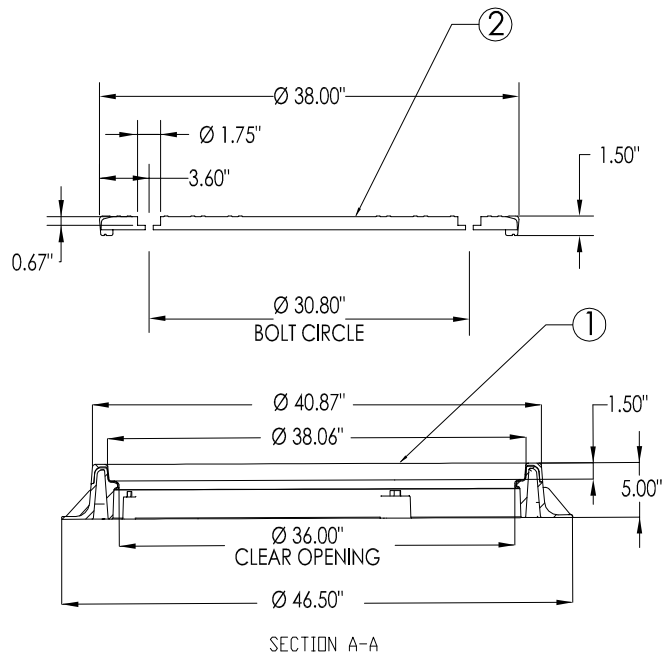
- Materials
Fiber Reinforced Polymer
- Proof Load
H-25 (50,000 LB) / D400 (400 kN)
- Open Area
n/a
- Coating
Undipped
- √ Designates Machined Surface

Weight

- Cover - 70 lbs.
- Frame - 45 lbs.

Certification

- H25 Proof load per AASHTO M306-10
- D400 Proof load per EN124
- Country of Origin: USA



Lock Option

- TwistLIFT®
- *TwistLIFT is a registered trademark of Titus Industrial Group
- *TwistLIFT iSecurity Handle sold separately (EJ# COMCOT30)

Drawing Revision

4/11/2016 Designer: MAH
Revised By:

Disclaimer

Weights (lbs./kg) dimensions (inches/mm) and drawings provided for your guidance. We reserve the right to modify specifications without prior notice.

CONFIDENTIAL: This drawing is the property of EJ GROUP, Inc., and embodies confidential information, registered marks, patents, trade secret information, and/or know how that is the property of EJ GROUP, Inc. Copyright © 2014 EJ GROUP, Inc. All rights reserved.

Contact

800 626 4653
ejco.com