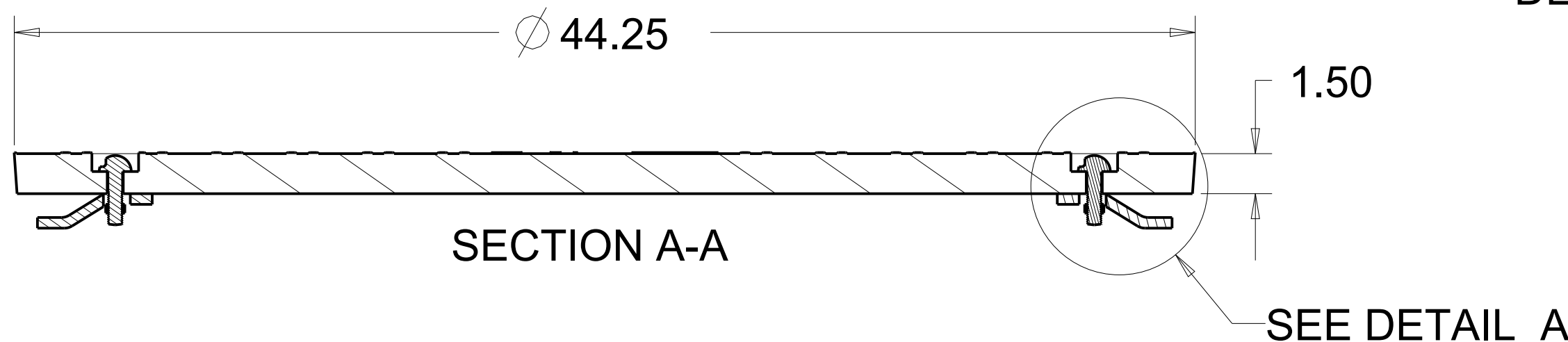
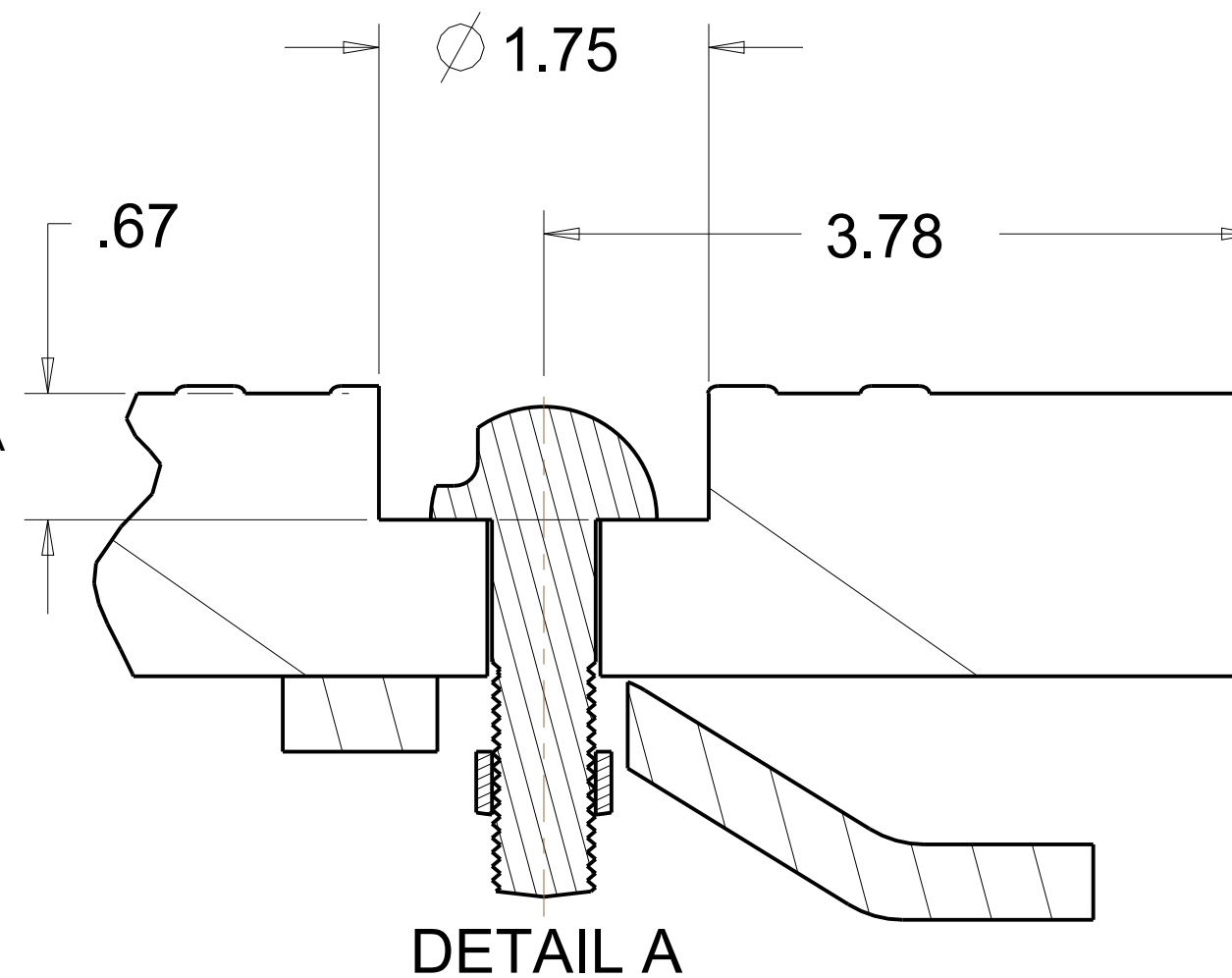
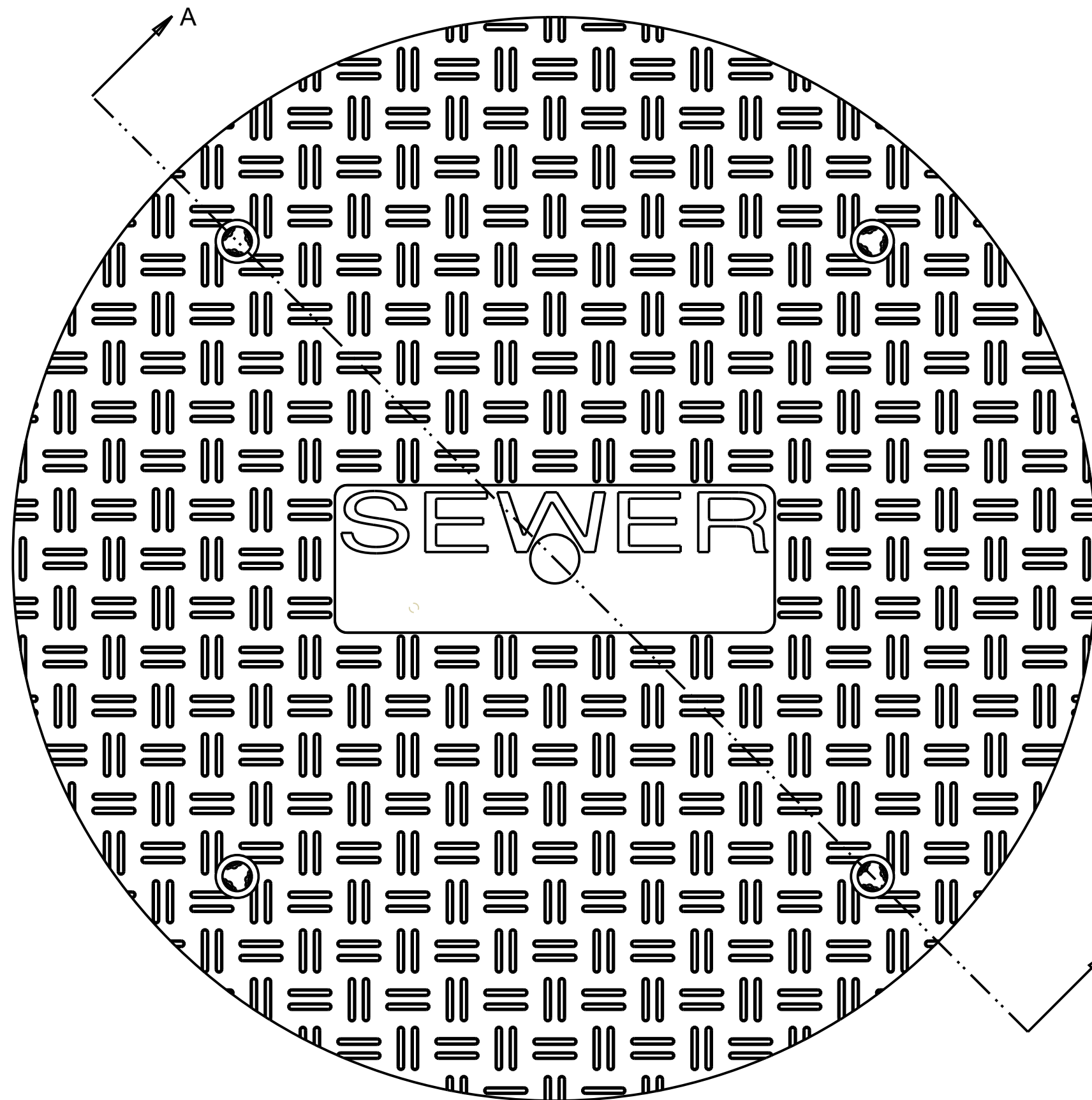


# 4400 Series Composite Utility Access Cover - Titus Bolt



Product/ Drawing Number

**4400CCPI05**

Product Attributes

Materials:

Fiber Reinforced  
Polymer  
Construction

Load Rating:

AASHTO M306-5  
H-20 & H-25

Weight:

Cover = 90 lbs

Lock Option:

TwistLIFT™

\*for use with  
EJ 1986Z cast  
iron frame

**MADE IN USA**

This drawing is the property of GMI Composites, INC. and includes confidential information, trade secret information, and/or know how that is the property of GMI Composites, INC. Copyright 2010 GMI Composites, INC.